

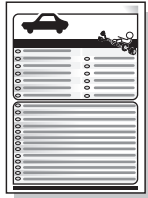
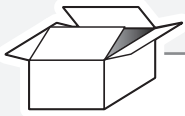
Mercedes Vito / Viano 08/2005-

Partnr.: MB-070-B1U

- Fitting instructions electric wiring kit tow bar with 12-N socket up to DIN/ISO Norm 1724.
- We would expressly point out that assembly not carried out properly by a competent installer will result in cancellation of any right to damage compensation, in particular those arising by virtue of the product liability act.
- Contents of these kits and their fitting manuals are subject to alteration without notice, please ensure that these instructions are read and fully understood before commencing installation.
- Do not overload circuits; the maximum loads per connection are detailed in this manual.
- Attention! Before Installation, please read this manual carefully and inform your customer to consult the vehicle owners manual to check for any vehicle modifications required before towing.
- In the event of functional problems, troubleshooting must be limited to about 0.5 hours, contact the technical support:
t.skinner@ecs-electronics.com / 07440 202 052.

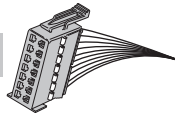


Part list



T

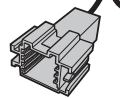
M



G



B1



X

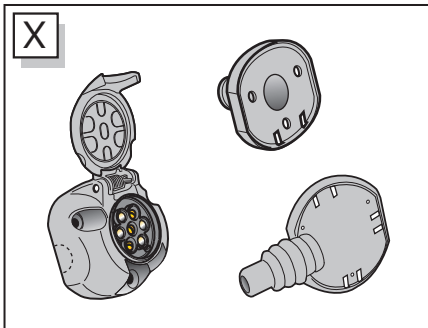
- H CAN_H Brown/Red
- L CAN_L Brown
- T STOP Blue/Red



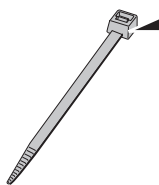
M



1x



X



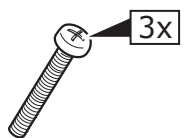
15x

UN-243-YZ

Optional reverse lamp pre-wire extension included



Pag. 10



3x

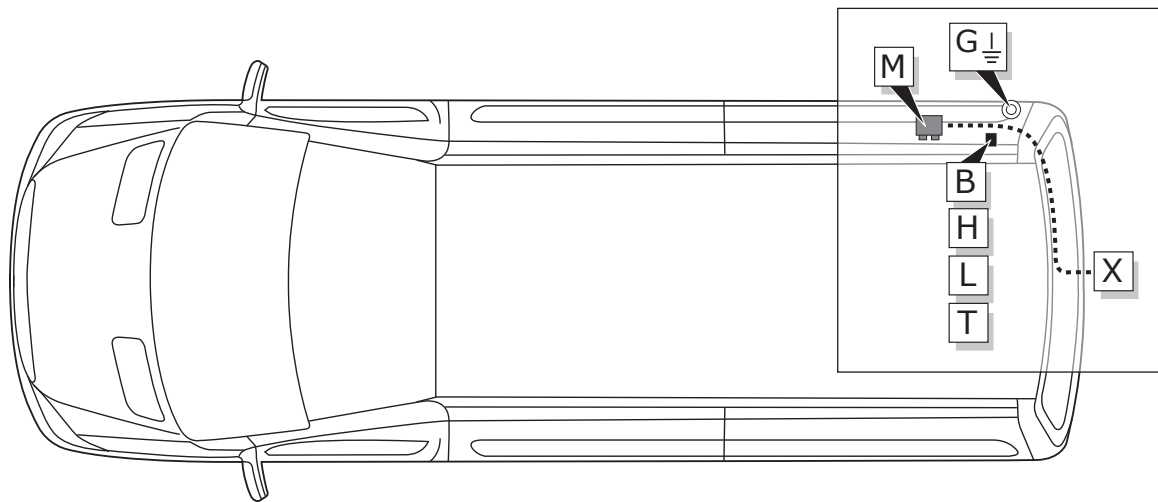


3x

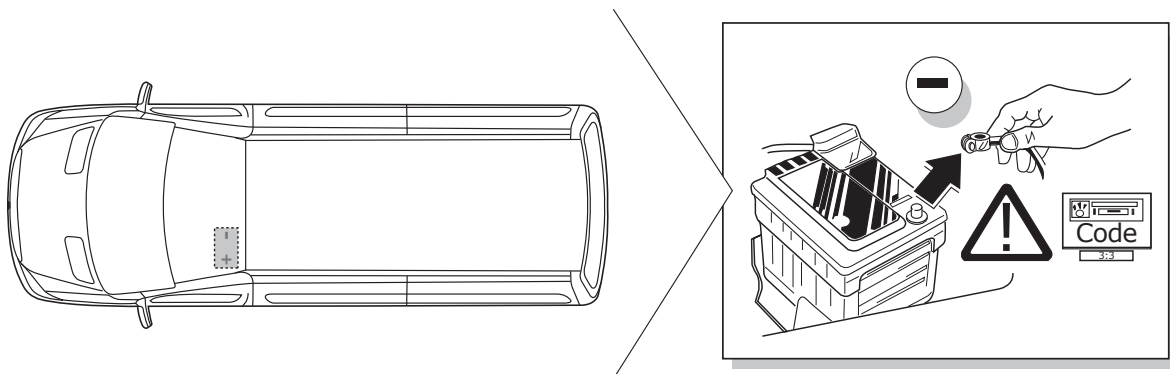
INFO



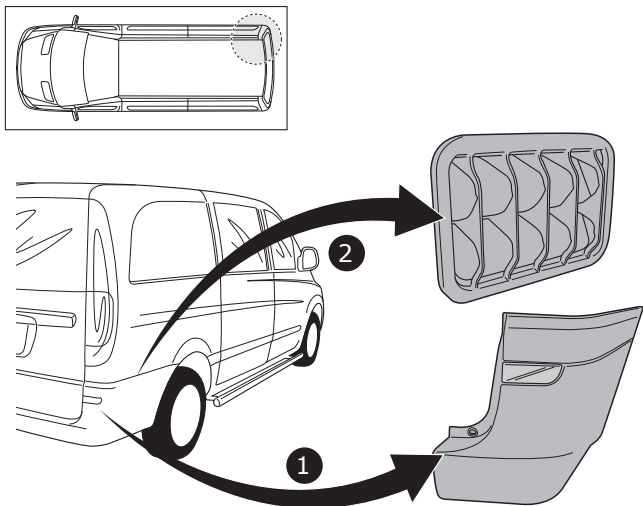
ROUTING



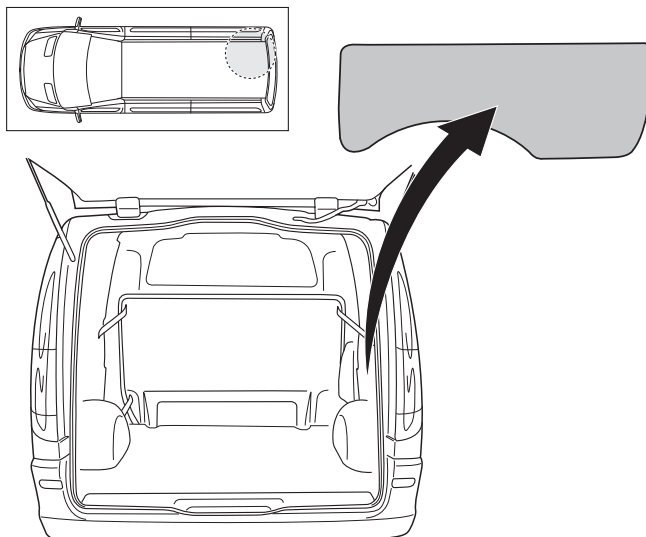
1



2

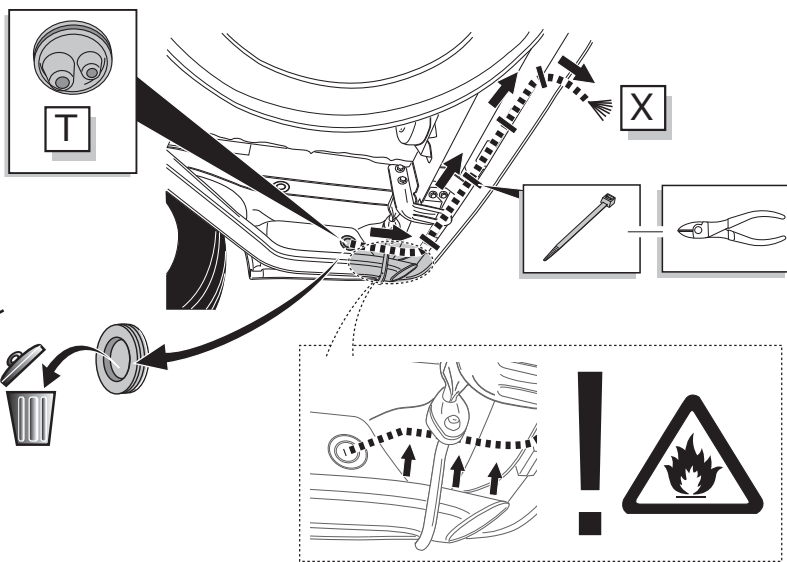
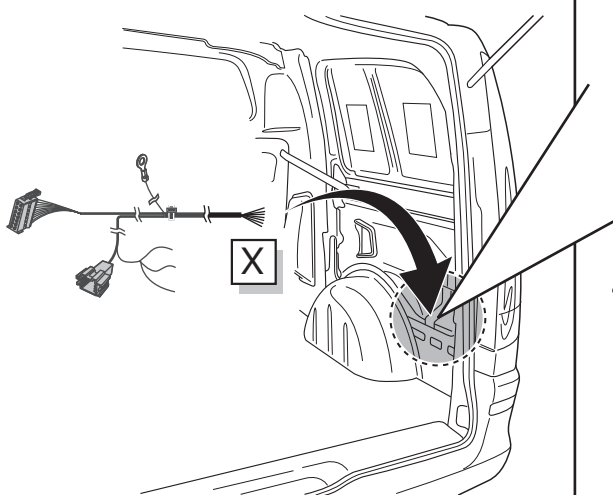


3

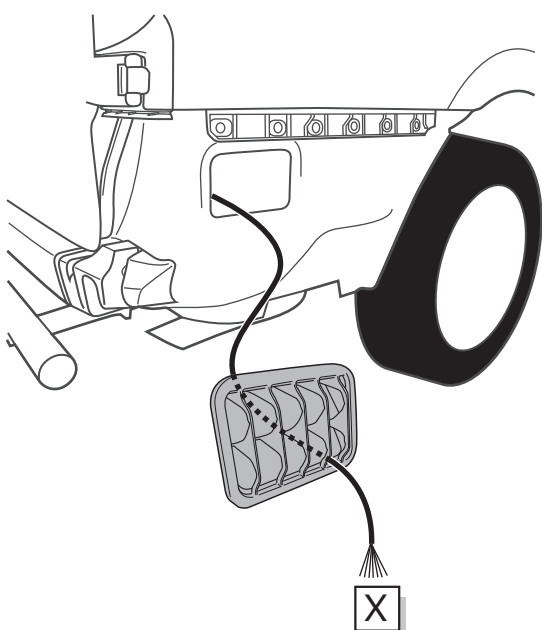
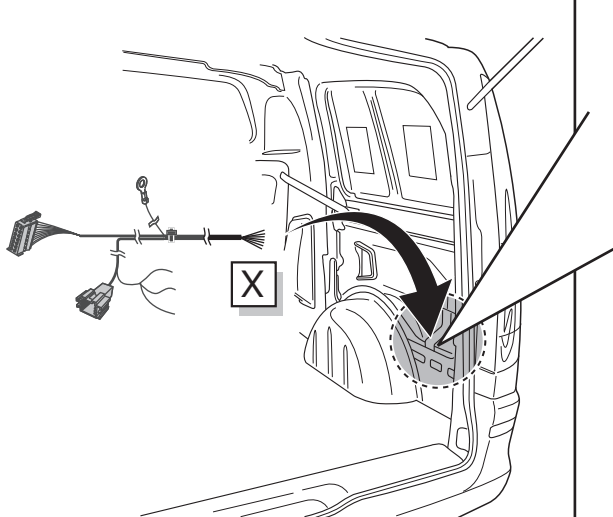


4

Option 1

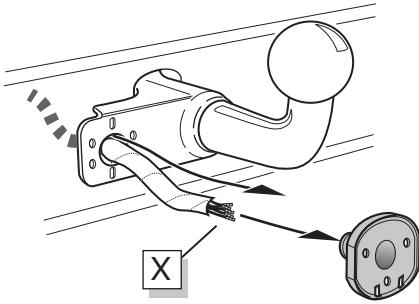


Option 2

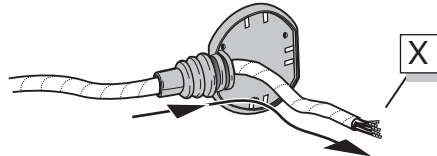


A

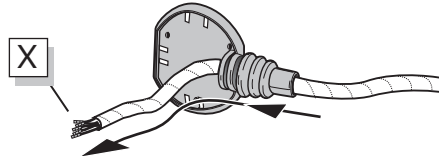
Option 1



Option 2



Option 3

**INFO**

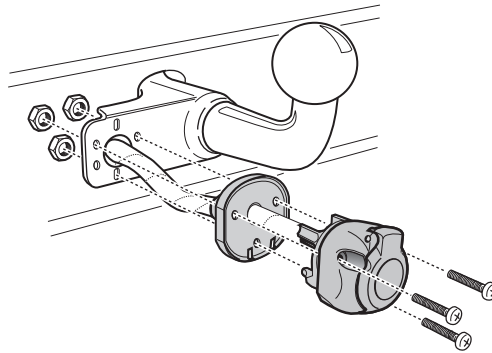
SOCKET CONNECTION



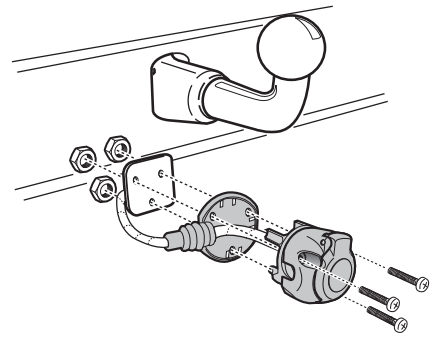
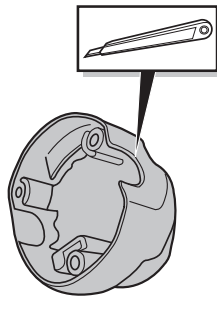
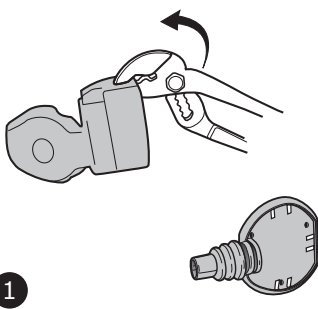
Pag. 10

B

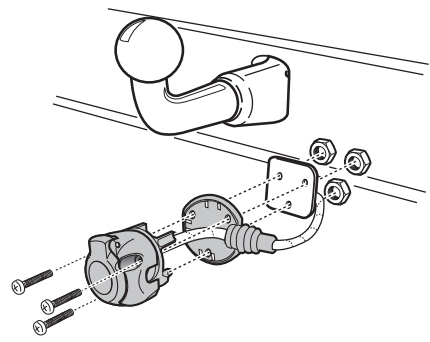
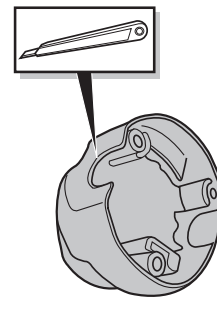
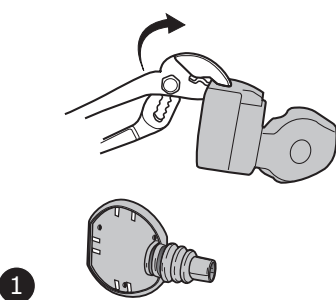
Option 1

**C**

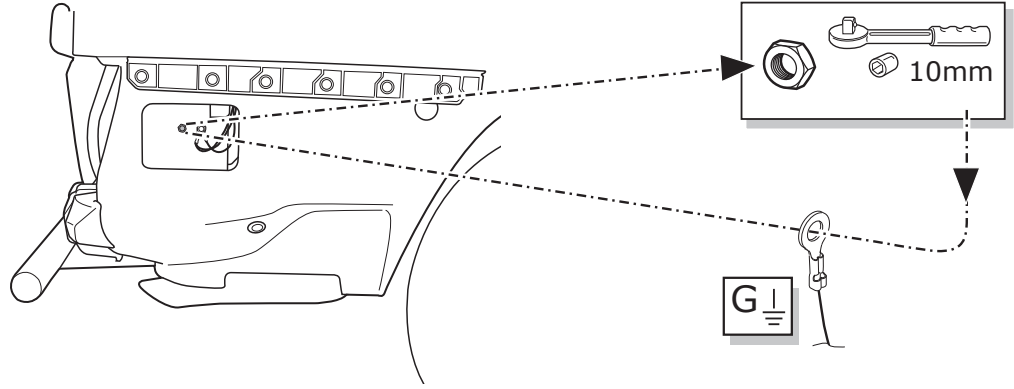
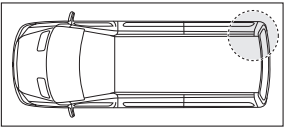
Option 2

**D**

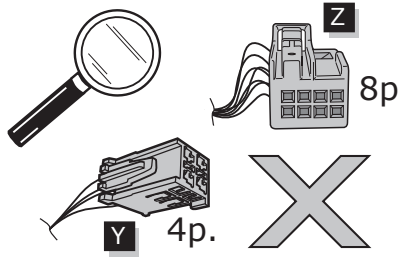
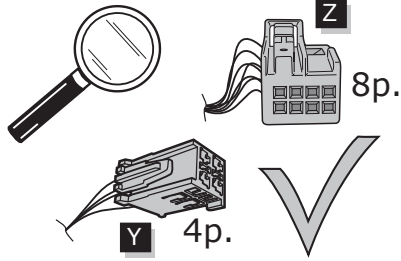
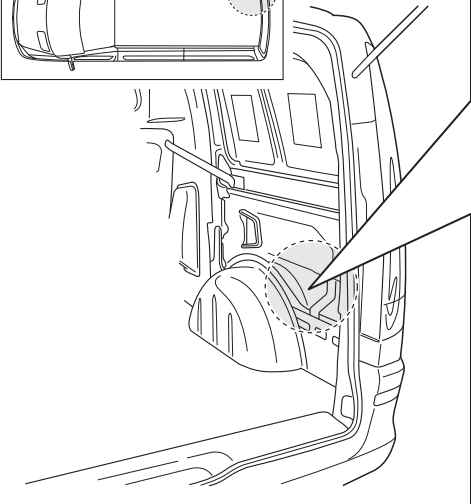
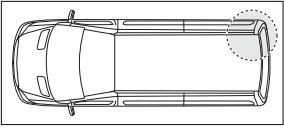
Option 3



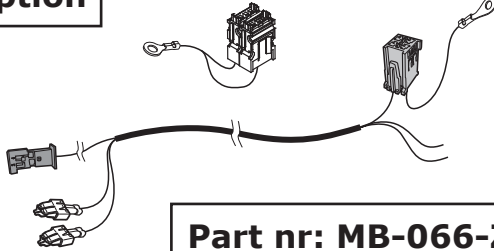
5



6



option

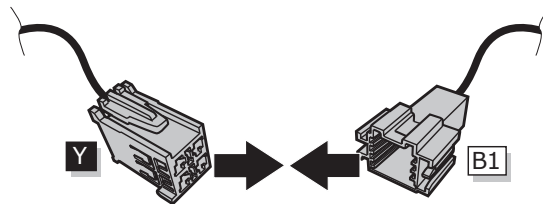
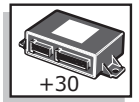
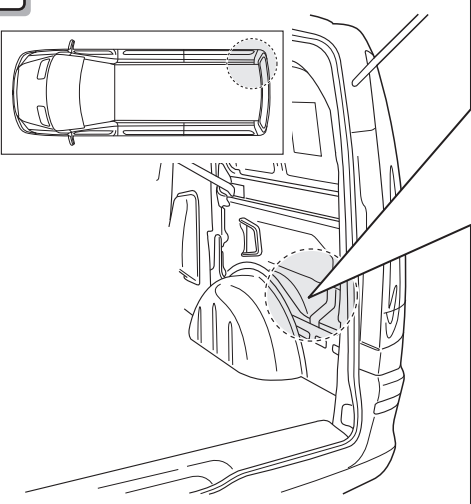
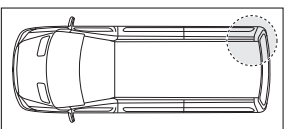


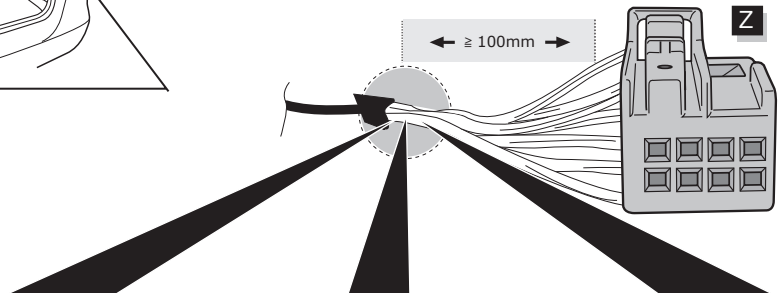
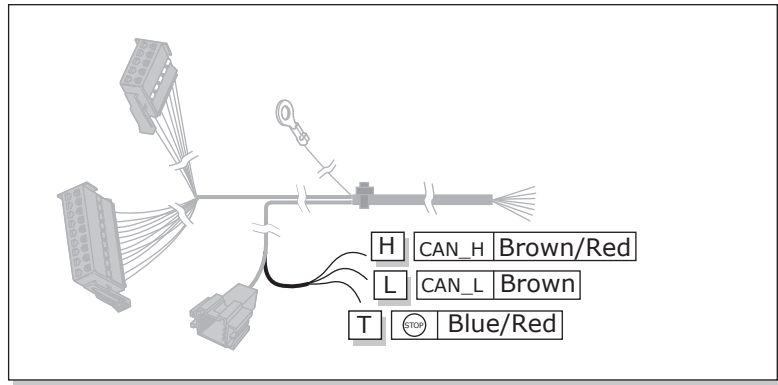
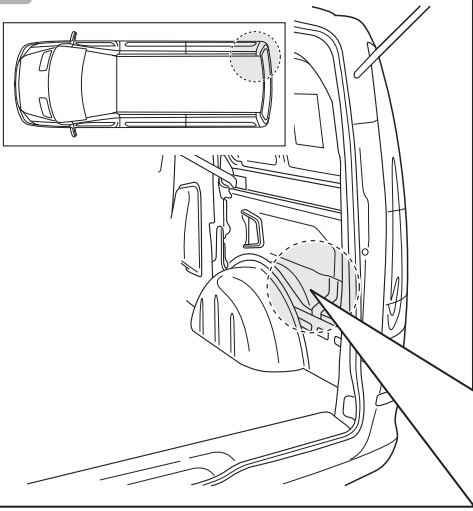
Part nr: MB-066-ZZ



Supplier

7





1 Pos.1 Brown/Red CAN_H

2 H

3 Pos.1 Brown/Red

H Brown/Red

4

1 Pos.5 Brown CAN_L

2 L

3 Pos.5 Brown

L Brown

4

1 Pos.7 Black/Blue STOP

2 T

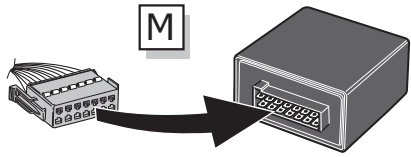
3 Pos.7 Black/Blue

T Blue/Red

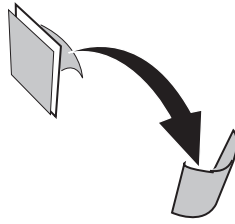
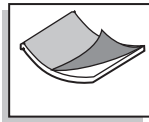
4

N.B.: To solder and isolate carefully!

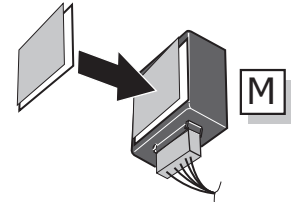
9



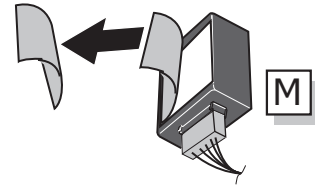
1



2

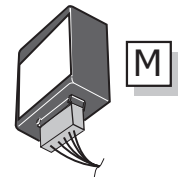
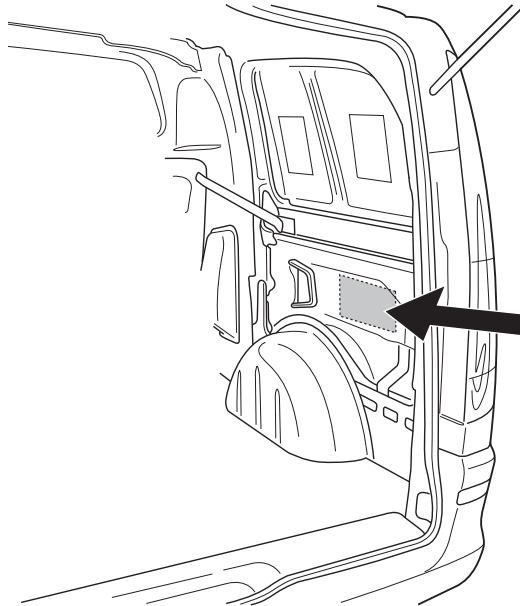
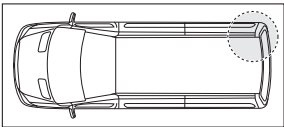


3

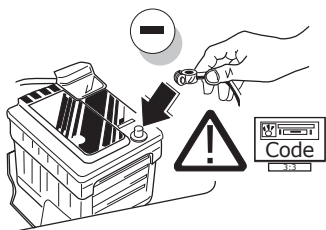


4

10



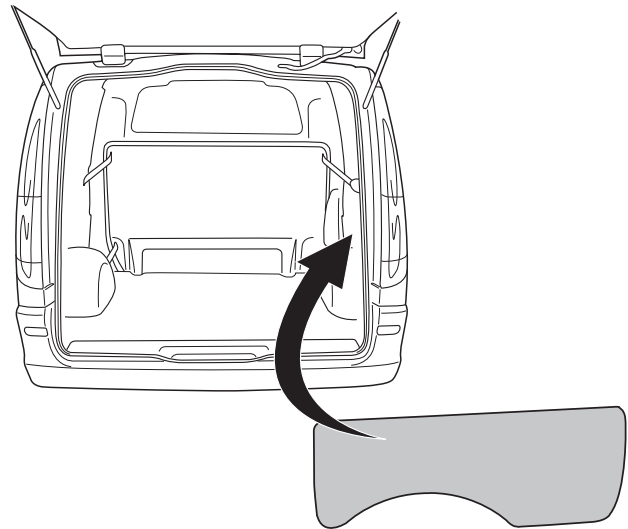
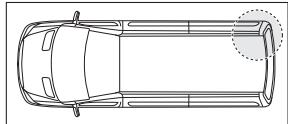
11



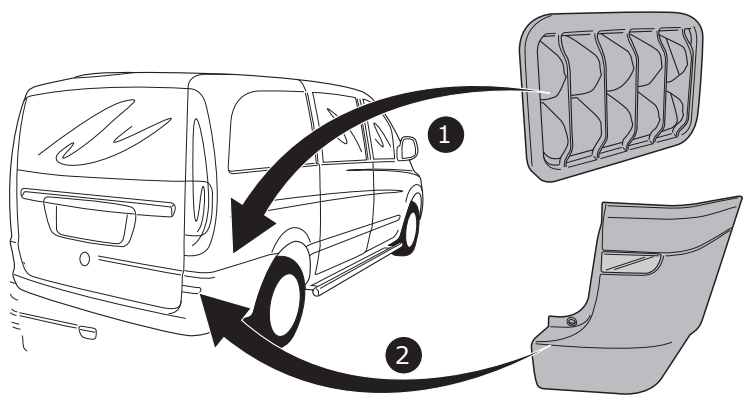
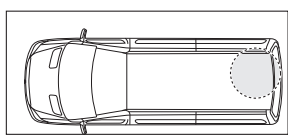
12

! TEST ALL THE CIRCUITS WITH A TEST DEVICE WITH THE CORRECT POWER LOAD FOR EACH FUNCTION. A TEST DEVICE WITH LED'S CANNOT BE USED FOR THIS PURPOSE.

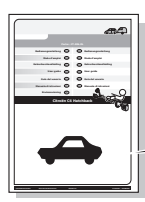
13



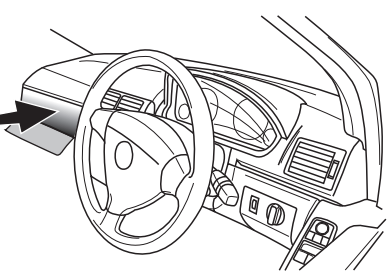
14



15



User guide



TECHNICAL SUPPORT

CALL 07440 202 052

ECS ELECTRONICS








MONDAY TO FRIDAY
08.00 - 11.00 am
12.00 - 05.00 pm
t.skinner@ecs-electronics.com
www.ecs-electronicsuk.co.uk

INFO

7-pole cable set with 5F001:

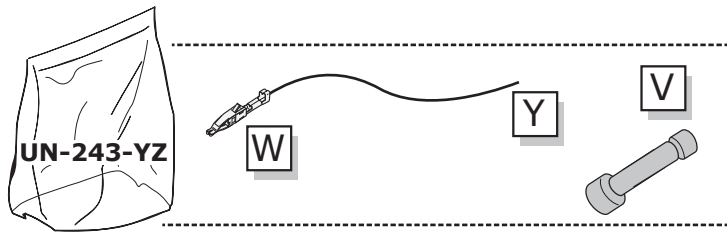
- A defective indicator of the car or/and caravan/trailer is stated by a quicker flashing of the other indicator lights (Following the European directive 76/756/EEC §4.5.8. and StVZO §54).
- To prevent overloading the 5F001, a maximum of 21W of flashing lights may be connected to the trailer per side.
- The functioning of the 5F001 can be tested by connecting the trailer/caravan (or a test-box) and switching on the indicator lights with a removed indicator light. The other indicator lights will flash quicker.
(ATTENTION: a test-box on which only LED's are being used, can not be used in this case).

INFO**SOCKET CONNECTION**

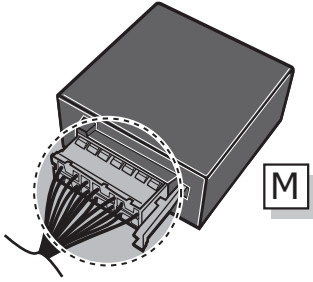
DIN/ISO 1724			 1-7				
	1/L	2	3/31	4/R	5/58-R	6/54	7/58-L
Pmax	21W	2x21W		21W	52W	3x21W	52W
Colour	Yellow	Blue	White	Green	Brown	Red	Black

UN-243-YZ Reverse lamp pre-wire extension

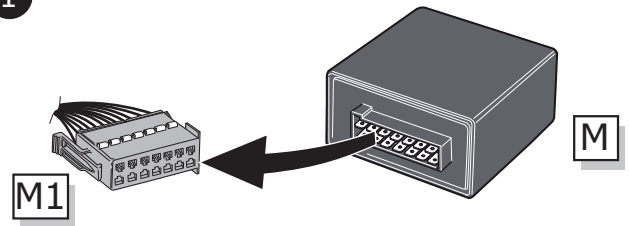
⚠ MAX = 21W



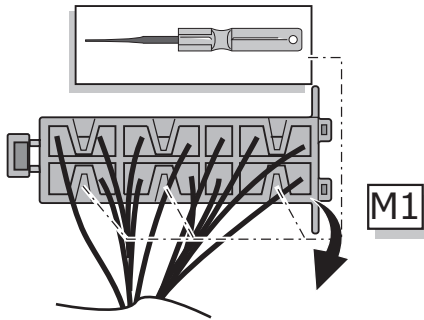
A



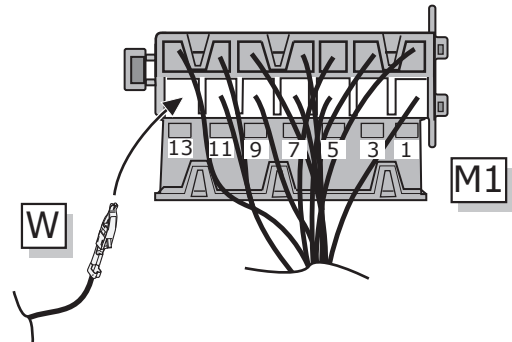
1



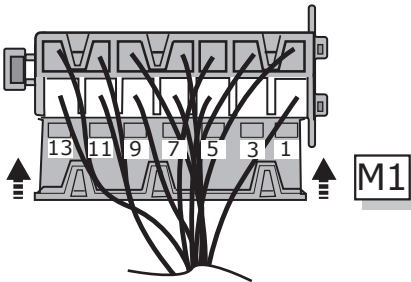
2



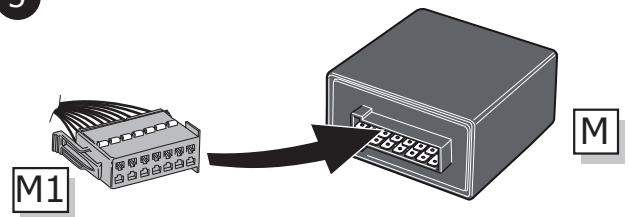
3



4



5



B

⚠ MAX = 21W

